

SPECIFICATIONS

Loudspeaker Type:	Two-way, bass ported floor monitor
Operating Range:	70 Hz to 18 kHz 70 Hz to 18 kHz (±5 dB)
Max Input Ratings (Passive):	200W continuous, 500W program 40 volts RMS, 89 volts momentary peak
Recommended Power Amplifier:	420W to 600W @ 8 ohms
	LF: Same as for passive mode Recommended LF Power Amp: Same as for passive mode
Max Inputs (Bi-amp):	HF: 50W continuous, 125W program 20 volts RMS, 45 volts momentary peak Recommended HF Power Amp: 100W to 150W @ 8 ohms
Sensitivity (1W/1m):	97 dB SPL (70 Hz to 18 kHz 1/3 octave bands) 96 dB SPL (250 Hz to 4 kHz speech range)
Maximum Output:	120 dB SPL / 127 dB SPL (peak)
Nominal Impedance (Passive):	8 ohms
Minimum Impedance:	5.2 ohms @ 210 Hz
Nominal Impedance (Bi-amp):	LF: 8 ohms HF: 8 ohms
Nominal -6dB Beamwidth:	80° H (+6° / -18°, 2 kHz to 10 kHz) 35° V (+8° / -3°, 2 kHz to 10 kHz)
Axial Q / DI:	24.4 / 13.9, 2 kHz to 10 kHz
Crossover Frequency:	2 kHz
Recommended Signal Processing:	60 Hz high pass filter
Drivers:	LF (1) 12-inch, Ferrofluid-cooled HF (1) 1-inch exit, titanium diaphragm
Driver Protection:	PowerSense™ DDP
Input Connection:	(2) Neutrik NL4MP (2) ¼-inch jack Passive / Bi-amp switch Two-position HF level switch
Enclosure:	13-ply solid birch plywood
Handles:	(2) steel recessed spring handles
Finish:	Black or white Tuf-coat™ finish
Grille:	16-gauge perforated steel, black or white powder coated
Required Accessories:	None
Supplied Accessories:	(4) Rubber feet with mounting screws
Dimensions—Height:	14.4 inches (366 mm)
Width:	23.9 inches (608 mm)
Depth:	15.3 inches (389 mm)
Weight:	54 lbs (24.5 kg)



APPLICATIONS

- Theaters
- Auditoriums
- Houses of worship
- Clubs
- Bands

FEATURES

- 1-inch titanium HF driver
- Switchable passive / bi-amp modes
- 2-position HF level switch
- PowerSense™ DDP circuitry with front indication
- Two recessed steel spring handles
- Available in 90° x 40° or 60° x 40° format
- Available in black or white finishes
- Five-year warranty

DESCRIPTION

The MX41E is a small and versatile two-way full-range bass reflex floor monitor engineered for live performance. Available in a 90 x 40 (MX41E-94) or 60 x 40 (MX41E-64) degree coverage pattern, the horns are rotatable for narrower horizontal coverage. Designed for professionals, the MX41E features a Ferrofluid-cooled LF driver, solid birch plywood enclosure, 16-gauge perforated steel grille, heavy-duty steel handles, steel input panel with a Passive/Bi-amp switch, and Neutrik input connectors. The MX41E also includes Community's PowerSense™ driver protection circuitry with an over-drive indicator light.

The MX41E is voiced for live sound, providing excellent sound projection, exceptional vocal performance, and balanced musical reproduction. Both black and white finishes are available. Five-year warranty.

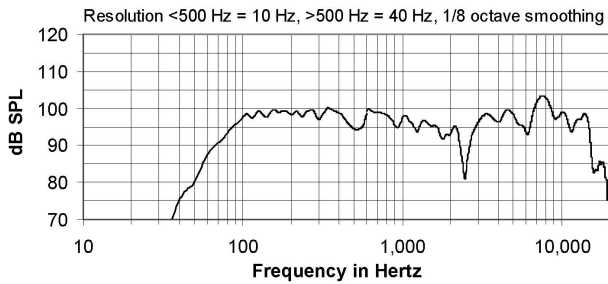
MX41E OPTIONS

"94B" suffix	90 x 40 degree coverage, black finish
"94W" suffix	90 x 40 degree coverage, white finish
"64B" suffix	60 x 40 degree coverage, black finish
"64W" suffix	60 x 40 degree coverage, white finish

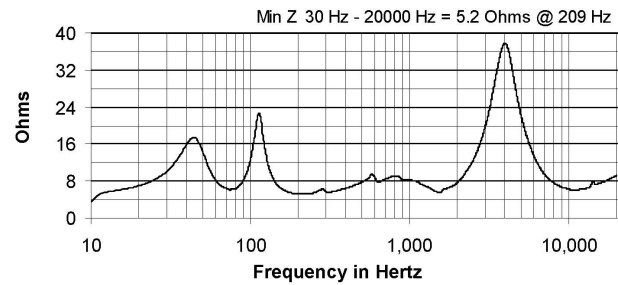
NOTES:

1. Sensitivity: Free field pink noise measurement at 20 ft (6.1 m) at 25% power; extrapolated to 1 meter and an input of 2.83 volts RMS.
2. Watts: All wattage figures are calculated using the rated nominal impedance.

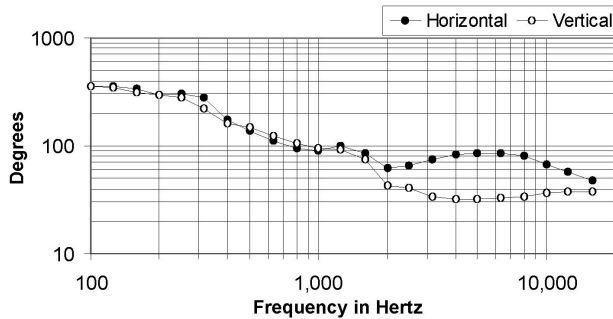
FREQUENCY RESPONSE



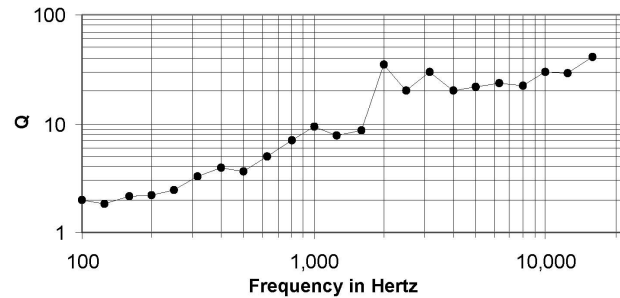
IMPEDANCE



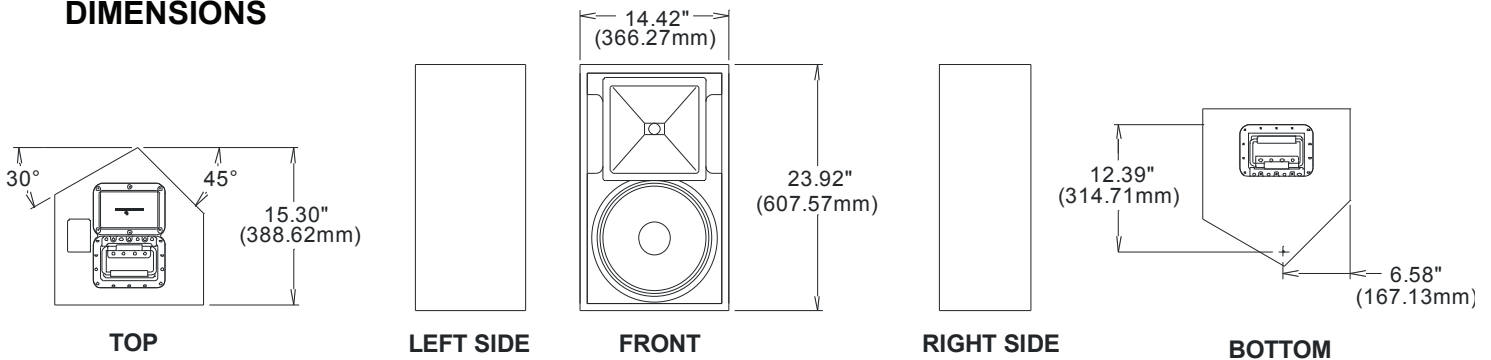
BEAMWIDTH



AXIAL Q



DIMENSIONS



ARCHITECTURAL SPECIFICATIONS

The loudspeaker system shall be a two-way, full-range bass reflex design with angled back panels allowing 30 degree and 45 degree front slant in the PA monitor position. The loudspeaker system shall have one 12 in. Ferrofluid-cooled woofer and one 1 in. exit HF driver with a titanium diaphragm mounted to a 90° rotatable HF fiberglass horn. Drivers shall be connected to an integral crossover with a crossover frequency of 2 kHz and integral over-current protection circuitry using high positive current coefficient resistors. There shall be two NL4MP connectors and two 1/4" phone jack connectors with a switch for passive or biamplified connection and side-facing LED over-power indicator light. The loudspeaker enclosure shall be solid birch plywood with a 16-gauge perforated steel grille and finished with black (or white) Tuf-coat™. The system shall have an amplitude response of 70 Hz to 18 kHz (+/- 5 dB), input capability of 40V RMS, 97 dB sensitivity at one meter and 2.83V / 8 ohms nominal impedance. The nominal dispersion shall be 80°H x 35°V from 2 kHz to 10 kHz. The loudspeaker shall be 14.4 in. (366 mm) H x 23.9 in. (608 mm) W x 15.3 in. (389 mm) D and weigh 54 lbs (24.5 kg).

Community strives to improve its products on a continual basis. Specifications are therefore subject to change without notice.