



Professional Audio Products

XLTE

XLTE loudspeakers provide the performance and versatility you need for live sound. Designed for professionals, they have the same type of construction used in top-of-the-line touring systems: 13-ply Baltic birch enclosures, full-size 16 gauge steel grilles, heavy-duty steel handles, steel input panels, and NL4 compatible input connectors. Capabilities for ground stacking, stand mounting and suspension are built in.

The XLTE series offers a distinctive range of systems to meet your sound requirements with 12" and 15" FOH and monitor systems along with 15" subwoofers. XLTE systems are designed to grow with your business. You can begin using passive mode operation, then progress to bi-amplifying and adding subwoofers without using electronic crossovers or adding subwoofer amplifiers.

For ultimate performance you can add electronic crossovers and additional amplifier channels. XLTEs are voiced for live sound, providing excellent sound projection, exceptional vocal performance, and balanced musical reproduction. After playing through XLTE, performers have said, "That's the best we've ever sounded." No better statement describes XLTE.

XLTE FEATURES

- Heavily braced 13-ply Baltic birch construction
- Captive flying points
- Die cast pole socket (12" and 15" two-way models)
- HFE2 Ferrofluid-cooled compression driver
- PowerSense™ DDP (Dynamic Driver Protection)
- NL4 compatible and ¼-inch connectors
- HF cut/boost and bi-amp control
- Load matching 150 Hz hi-pass output crossover (subwoofers)
- Five-year warranty



Model	XLT47E	XLT46E	XLT43E	XLT42E	XLT48E-64/94	XLT41E-64/94	XLT55E	XLT51E
Loudspeaker Type	2-way full-range	3-way full-range	2-way full-range	2-way full-range	2-way monitor	2-way multi-angle	Subwoofer	Subwoofer
Drivers - LF	2 x 15"	1 x 15"	1 x 15"	1 x 12"	1 x 15"	1 x 12"	2 x 15"	1 x 15"
MF	N/A	1 x 6.5"	N/A	N/A	N/A	N/A	N/A	N/A
HF	1 x 1"	1 x 1"	1 x 1"	1 x 1"	1 x 1"	1 x 1"	N/A	N/A
Frequency Response	50 Hz - 18 kHz	50 Hz - 18 kHz	50 Hz - 18 kHz	70 Hz - 18 kHz	50 Hz - 18 kHz	70 Hz - 18 kHz	40 Hz - 150 Hz	40 Hz - 250 Hz
Power Handling (RMS/PGM)	400W / 1000W	200W / 500W	200W / 500W	200W / 500W	200W / 500W	200W / 500W	300W / 750W	150W / 375W
Sensitivity 1W/1m	98 dB SPL	97 dB SPL	98 dB SPL	97 dB SPL	99 dB SPL / 98 dB SPL	99 dB SPL / 97 dB SPL	98 dB SPL	95 dB SPL
Maximum SPL (1m)	124 dB	120 dB	121 dB	120 dB	122 dB / 121 dB	122 dB / 120 dB	123 dB	117 dB
Nominal Impedance - Passive	4 Ohm	4 Ohm	8 Ohm	8 Ohm	8 Ohm	8 Ohm	4 Ohm	8 Ohm
Biamp LF	4 Ohm	4 Ohm	8 Ohm	8 Ohm	8 Ohm	8 Ohm	N/A	N/A
Biamp HF	8 Ohm	8 Ohm	8 Ohm	8 Ohm	8 Ohm	8 Ohm	N/A	N/A
Nominal Dispersion	80°H x 35°V	65°H x 30°V	80°H x 35°V	80°H x 35°V	5 50°H x 35°V / 80°H x 35°V	55°H x 40°V / 80°H x 35°V	360°H x 180°V	360°H x 180°V
Crossover Frequency(s)	1.8 kHz	500 Hz / 2.5 kHz	2 kHz	2 kHz	2 kHz	2 kHz	N/A	N/A
Dimensions - HWD inches	41.9 x 19.75 x 17.9	33.9 x 19.75 x 17.9	26.9 x 19.75 x 17.9	24.3 x 14.6 x 14.75	19.3 x 19.5 x 30.9	14.4 x 23.9 x 15.3	41.9 x 19.75 x 17.9	26.9 x 19.5 x 17.9
HWD mm	1065 x 502 x 455	862 x 502 x 455	684 x 502 x 455	618 x 371 x 375	490 x 494 x 785	366 x 608 x 389	1065 x 502 x 455	684 x 494 x 455
Weight LBS (kg)	95 lbs (43.1 kg)	85 lbs (38.6 kg)	68.5 lbs (31.1 kg)	53.5 lbs (24.3 kg)	60 lbs (27.2 kg)	49.5 lbs (22.5 kg)	89 lbs (40.4 kg)	66.5 lbs (30.2 kg)

SONUS

SONUS high-end line loudspeakers for professional musicians feature low distortion, high-impact sonic capability, ease of transport, and durable construction to withstand the rigors of the road. All SONUS models are precision engineered, both acoustically and structurally, to perform night after night under the demanding conditions encountered by travelling bands and DJ's.

SONUS full-range models include two-way 12" and 15" systems, and three-way 12" and 15" systems. The multi-angle 12" two-way SONUS 1296 can be used as a FOH system or on the stage as a floor monitor. All models can be switched between active bi-amped and passive single-amped operation, to readily accommodate the needs of the user. A music/voice presence switch is provided as a quick means of altering the upper mid-range to suit the acoustical conditions of the venue.

For extended low frequency response, the SONUS line includes two subwoofers with a choice of dual 15" or dual 18" high-power cone drivers. The dual 18" model is provided with integrated casters for convenient load-in and load-out. Both models feature a High-Pass Output for seamless integration with the full-range systems.

SONUS FEATURES

- Durable Birch plywood enclosure and protective steel grilles
- Carbon ring cone LF drivers
- Passive/Bi-amp and Music/Speech switches on full-range models
- DYNA-TECH protection circuitry
- UC1 non-metallic, Ferrofluid-cooled compression driver
- Cool-Coil™ woofers
- Optional seat track rigging accessory
- Ergo-Grip handles
- Five-year warranty

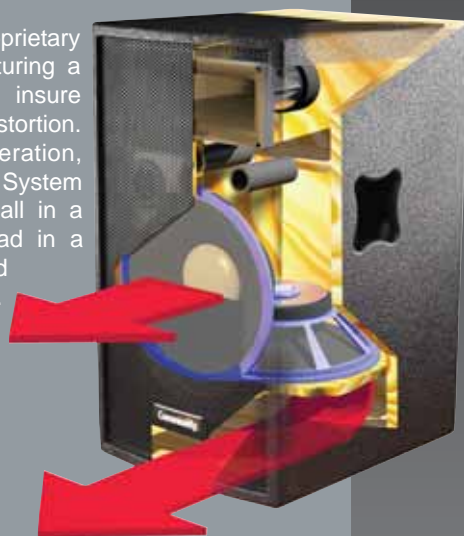


Model	SONUS 1296	SONUS 1596	SONUS 3294	SONUS 3594	SONUS 215S	SONUS 218S
Loudspeaker Type	2-way, multiangle	2-way, full-range	3-way, full-range	3-way, full-range	Subwoofer	Subwoofer
Drivers - LF	1 x 12"	1 x 15"	1 x 12"	1 x 15"	2 x 15"	2 x 18"
Drivers - MF	N/A	N/A	1 x 6.5"	1 x 6.5"	N/A	N/A
Drivers - HF	1 x 1"	1 x 1"	1 x 1"	1 x 1"	N/A	N/A
Operating Range	60 Hz - 20 kHz	50 Hz - 20 kHz	60 Hz - 20 kHz	55 Hz - 20 kHz	30 Hz - 2 kHz	30 Hz - 1 kHz
Power Handling (RMS/PGM)	200W / 500W	200W / 500W	200W / 500W	200W / 500W	400W / 1000W	600W / 1500W
Sensitivity 1W/1m	99 dB SPL	102 dB SPL	100 dB SPL	101 dB SPL	97 dB SPL	100 dB SPL
Maximum SPL (1m)	122 dB SPL / 129 dB SPL (peak)	124 dB SPL / 131 dB SPL (peak)	123 dB SPL / 130 dB SPL (peak)	123 dB SPL / 130 dB SPL (peak)	120 dB SPL / 127 dB SPL (peak)	125 dB SPL / 132 dB SPL (peak)
Nominal Impedance	8 Ohm	8 Ohm	8 Ohm	8 Ohm	4 Ohm	4 Ohm
Nominal Dispersion	90° x 60°	90° x 60°	90° x 40°	90° x 40°	360° x 180°	360° x 180°
Crossover Frequency(s)	1.5 kHz	1.5 kHz	800 Hz / 3 kHz	800 Hz / 3 kHz	N/A	N/A
Dimensions - HWD inches	23.9 x 14.9 x 13.4 inches	27.2 x 18.4 x 15.9 inches	29.3 x 17.4 x 15.4 inches	32.4 x 18.4 x 15.9 inches	18.4 x 37.4 x 20.4 inches	21.4 x 44.4 x 24 inches
HWD mm	608 x 379 x 341 mm	690 x 467 x 404 mm	744 x 441 x 390 mm	823 x 467 x 404 mm	468 x 950 x 518 mm	544 x 1128 x 610 mm
Weight LBS (kg)	36 lbs (16.3 kg)	46.5 lbs (21.1 kg)	53 lbs (24 kg)	58 lbs (26.3 kg)	89 lbs (40.4 kg)	127 lbs (57.6 kg)

Tandem Drive²

There are four Tandem Drive² models in all: two full-range models that can be combined with either of two subwoofers. This mix-and-match arrangement offers portability, power, clarity, and versatility for clubs, DJ's, high energy worship, and live performance applications. All Tandem Drive² models feature two of Community's patented Cool-Coil™ drivers, cleverly designed to draw destructive heat away from the voice coil, thus assuring extended high level operation.

The full-range systems utilize Community's proprietary UC1 high frequency compression driver featuring a Ferrofluid-cooled, non-metallic diaphragm to insure smooth performance and extremely low distortion. Predictable high level, low distortion operation, Community's DYNA-TECH Driver Protection System and remarkable low frequency response -- all in a compact, well-braced, lightweight cabinet clad in a high impact exterior TufCoat™ finish, rounded out with Ergo-Grip handles for easy portability. A built-in stand socket and four rigging points further enhance the versatility of these systems.



TD212



TD215



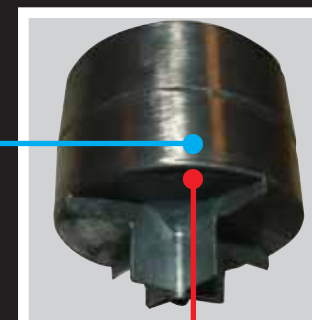
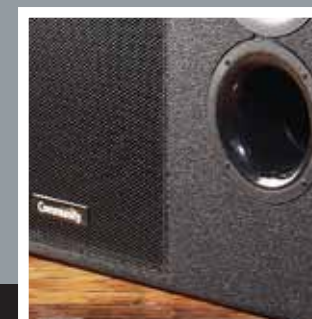
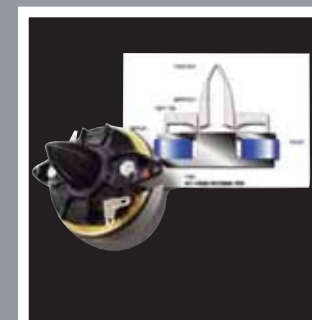
TD218S



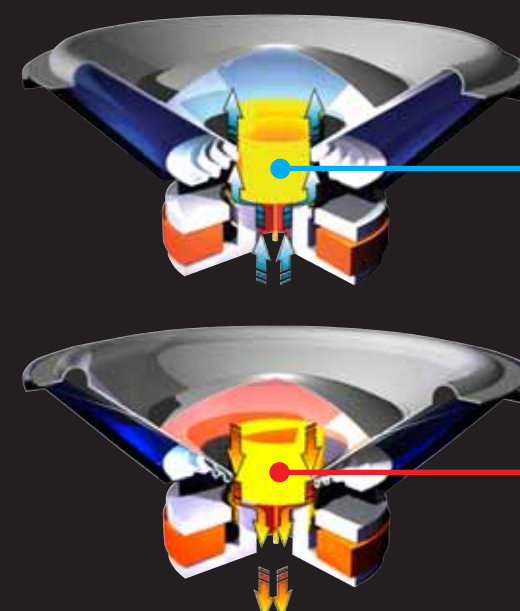
TD215S

TANDEM DRIVE² FEATURES

- Heavily braced 13-ply Baltic birch construction
- Captive flying points
- Die cast pole socket
- UC1 non-metallic, Ferrofluid-cooled compression driver
- Cool-Coil™ woofers
- DYNA-TECH driver protection circuitry
- NL4 compatible and ¼-inch connectors
- HF cut/boost and bi-amp control
- Load matching 150 Hz hi-pass output crossover (subwoofers)
- Five-year warranty



Model	TD215	TD212	TD218S	TD215S
Loudspeaker Type	2-way full-range	2-way full-range	Subwoofer	Subwoofer
Drivers - LF	2 x 15"	2 x 12"	2 x 18"	2 x 15"
HF	1 x 1"	1 x 1"	N/A	N/A
Frequency Response	45 Hz - 16 kHz	45 Hz - 16 kHz	30 Hz - 200 Hz	35 Hz - 180 Hz
Power Handling (RMS/PGM)	400W / 1000W	300W / 750W	600W / 1500W	400W / 1000W
Sensitivity 1W/1m	97 dB SPL	97 dB SPL	95 dB SPL	95 dB SPL
Maximum SPL (1m)	123 dB	123 dB	123 dB	121 dB
Nominal Impedance - Passive	4 Ohm	4 Ohm	4 Ohm	4 Ohm
Nominal Dispersion	90°H X 40°V	90°H X 40°V	360°H X 180°V	360°H X 180°V
Crossover Frequency(s)	2 kHz	2 kHz	N/A	N/A
Dimensions - HWD inches	27.3 x 17.3 x 19.9	25.5 x 13.9 x 17.6	25.5 x 40 x 23.8	33.5 x 17.3 x 21.9
HWD mm	693 x 439 x 505	647 x 353 x 448	649 x 1016 x 603	842 x 439 x 556
Weight LBS (kg)	71 lbs (32.2 kg)	49 lbs (22.2 kg)	144 lbs (65.3 kg)	92 lbs (41.7 kg)



Community's Patented Cool-Coil™ Woofer Technology

- Cool air is pulled in over the thermally conductive voice coil former assembly
- Self-sustaining air flow
 - Lower operating temperatures
 - Improved long-term efficiency
 - Greater power handling

Power-robbing hot air is forced out

MVP Series II

There are seven MVP Series II models in all: Four full-range two-way cabinets, a pair of powerful floor monitors, and a potent subwoofer system. All full-range systems utilize Community's proprietary HF20 high frequency compression driver featuring a Ferrofluid-cooled, non-metallic diaphragm to insure smooth performance and extremely low distortion.

Community's DYNA-TECH Driver Protection System safeguards all MVP Series II models. With Dyna-Tech, your speaker can operate at its full dynamic range and still react quickly to excessive musical transient peaks without worry of damaging the speaker. It also means your speaker is protected from the instant the power amplifier is plugged into it and/or turned on. DYNA-TECH illuminates a red indicator light found on the input panel of all models. Each loudspeaker and crossover component is backed by Community's limited 'no fault' warranty for the first two (2) years of use.



MVP SERIES II FEATURES

- Heavily-braced MDF cabinet construction
- Captive flying points
- Die cast pole socket
- New HF20 non-metallic, Ferrofluid-cooled compression driver
- DYNA-TECH driver protection circuitry
- NL4 compatible and ¼-inch connectors
- Load matching 150 Hz hi-pass output crossover (subwoofers)
- Two-year "no fault" warranty on loudspeaker and crossover components
- Five-year transferable warranty against manufacturing defects



Model	MVP215HO	MVP15HO	MVP15	MVP12	MVP15M	MVP12M	MVP18S
Loudspeaker Type	2-way full-range	2-way full-range	2-way full-range	2-way full-range	2-way monitor	2-way monitor	Subwoofer
Drivers - LF	2 x 15" cast frame	1 x 15" cast frame	1 x 15" steel basket	1 x 12" steel basket	1 x 15" steel basket	1 x 12" steel basket	1 x 18" steel basket
HF	1 x HF20	1 x HF20	1 x HF20	1 x HF20	1 x HF20	1 x HF20	N/A
Frequency Response	50 Hz - 16 kHz	60 Hz - 17 kHz	65 Hz - 16 kHz	70 Hz - 16 kHz	70 Hz - 16 kHz	70 Hz - 16 kHz	40 Hz - 250Hz
Power Handling (RMS/PGM)	400W / 1000W	200W / 500W	200W / 500W	150W / 375W	200W / 500W	150W / 375W	300W / 750W
Sensitivity 1W/1m	98 dB SPL	96 dB SPL	95 dB SPL	94 dB SPL	95 dB SPL	94 dB SPL	98 dB SPL
Maximum SPL (1m)	124 dB	119 dB	118 dB	116 dB	117 dB	116 dB	123 dB
Nominal Impedance	4 Ohm	8 Ohm	8 Ohm	8 Ohm	8 Ohm	8 Ohm	8 Ohm
Nominal Dispersion	90°H x 40°V	90°H x 40°V	90°H x 40°V	90°H x 40°V	90°H x 40°V	90°H x 40°V	360°H x 180°V
Crossover Frequency(s)	2 kHz	2 kHz	2 kHz	2 kHz	2 kHz	2 kHz	N/A
Dimensions - HWD inches	43 x 18 x 19	27.8 x 18 x 19	23.8 x 17.5 x 15	20.9 x 14.5 x 13.8	23.4 x 17.5 x 15	20.4 x 14.5 x 13.8	34.38 x 18 x 19.25
HWD mm	1092 x 457 x 483	708 x 457 x 483	605 x 445 x 380	531 x 368 x 351	594 x 445 x 380	518 x 368 x 351	837 x 457 x 489
Weight LBS (kg)	86 lbs (39 kg)	60 lbs (27 kg)	46 lbs (21 kg)	34 lbs (15.4 kg)	41 lbs (18.5 kg)	30 lbs (13.6 kg)	89 lbs (40.5 kg)

DnD

The DnD series is a range of loudspeaker systems designed for professional musical performances. The speakers offer an exceptional value to vocalists, instrumentalists, DJs, and club owners, with options for a wide variety of applications, including permanent installations.

The multi-angle DnD12 and the front-of-house DnD15 are two proven performers with a price-to-performance ratio that is unmatched in the industry. Both systems feature Community's Focused Array™ high frequency, dual-driver pattern control horn and unbeatable PowerSense Plus™ DDP driver protection circuitry. Each loudspeaker and crossover component is backed by Community's limited 'no fault' warranty for the first two (2) years of use.



DnD FEATURES

- Heavily-braced MDF construction
- Captive flying points
- Die cast pole socket
- PZT Focused Array™ horn.
- PowerSense Plus™ DDP driver protection circuitry
- NL4-compatible and ¼-inch connectors
- Two-year "no fault" warranty on loudspeaker and crossover components
- Five-year transferable warranty against manufacturing defects

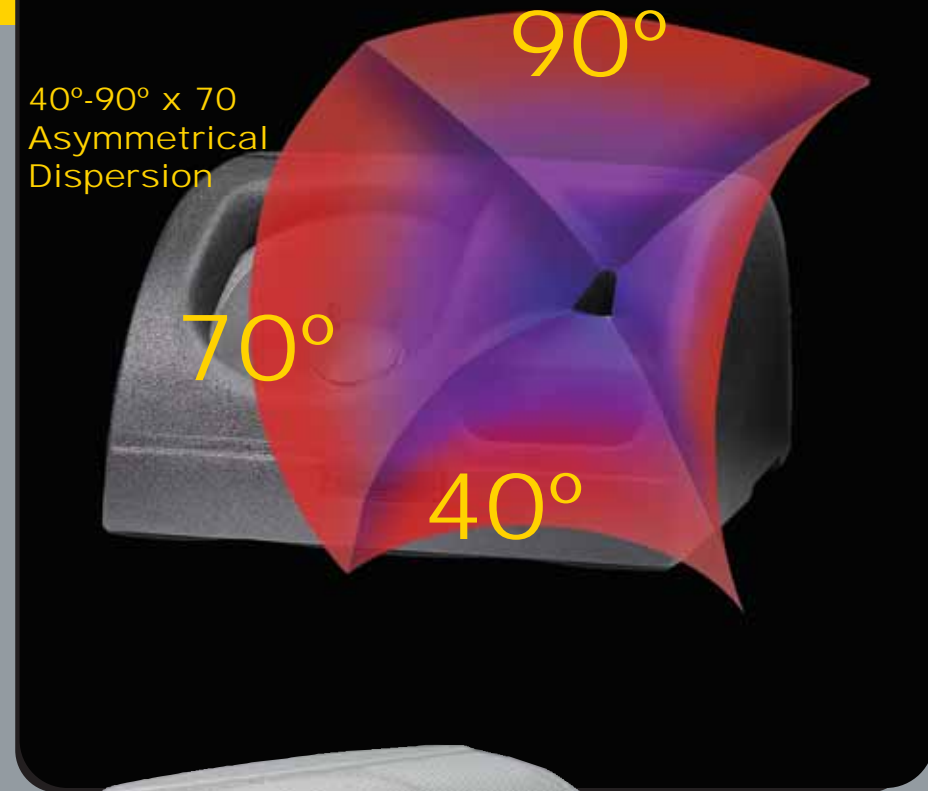


Model	DnD15	DnD12
Loudspeaker Type	Two-way full-range	Two-way full-range (multi-angle)
Drivers - LF	1 x 15"	1 x 12"
HF	2 x PZT	2 x PZT
Frequency Response	40 Hz - 16 kHz	50 Hz - 16 kHz
Power Handling (RMS/PGM)	150W / 400W	150W / 400W
Sensitivity 1W/1m	98 dB SPL	97 dB SPL
Maximum SPL (1m)	120 dB	119 dB
Nominal Impedance	8 Ohm	8 Ohm
Nominal Dispersion	90°H x 40°V	90°H x 40°V
Transformer Taps	N/A	N/A
Dimensions - HWD inches	25.4 x 17 x 13	22.4 x 13.9 x 14.1
HWD mm	645 x 430 x 330	570 x 354 x 358
Weight LBS (kg)	41 lbs (18.5 kg)	29 lbs (13 kg)

M12

The M12 stage monitor system is a compact, high style, no-compromise solution to the demands of high performance monitoring. At 10½" high, the M12 offers clean sightlines for the audience and the camera. The rugged multi-layer glass composite construction, "Texas Boot-proof" heavy gauge steel grille and an abrasion resistant non-reflective Tuf-Coat™ finish make the M12 an excellent choice for TV broadcasts and stage productions. The dual NL4 connectors are tucked safely away in a pocket beneath the enclosure. Specially molded channels and cable clips allow the user to bring the speaker cables out of the back or either side of the monitor. These exits also allow easy positioning of the monitor. The M12 contains a high-powered 12" woofer and a 2" exit B&C™ wide band high frequency driver. The high frequency driver is mounted to a molded one-piece asymmetrical horn with a 90-degree pattern at the top and 40-degree at the bottom, allowing full-range output close up or horizontally at a distance. The vertical dispersion is 70°.

The M12 is available in black or white finishes, and right or left horn configurations.



M12 FEATURES

- Low-profile, high-style exterior
- Small footprint
- Multi-layer glass composite construction
- Non-reflective black or white Tuf-Coat™ exterior with matching heavy-duty non-reflective grille
- Unique hidden handle
- High powered, 12" woofer
- 2" wide-band compression driver on an asymmetrical horn
- Biamp/passive switchable with well protected dual NL4 connectors
- Cable safety management system
- Available in right or left horn configurations
- Available in black or white finishes
- Five-year warranty



Model	M12
Loudspeaker Type	Two-way stage monitor
Drivers - LF	1 x 12" cast frame
HF	1 x 2" B&C
Frequency Response	55 Hz - 18 kHz
Power Handling (RMS/PGM)	300W / 750W
Sensitivity 1W/1m	LF:99 dB SPL HF:106 dB SPL
Maximum SPL (1m)	124 dB
Nominal Impedance - Passive	8 Ohm
Biamp LF	8 Ohm
Biamp HF	8 Ohm
Nominal Dispersion	40° - 90°H x 70°V
Crossover Frequency(s)	1.5 kHz
Dimensions - HWD inches	10.5 x 21.5 x 20.75
HWD mm	267 x 546 x 527
Weight LBS (kg)	56 lbs (25.4 kg)



Available in right or left horn configurations

XLTE

SONUS

TANDEM
DRIVE²

MVP
SERIES II

DnD



Accessories

SB5

A 5-foot (1.5 m) long x 1-3/8" (35 mm) o.d. steel mounting pole in a black finish for mounting a full-range loudspeaker on a subwoofer. Use with XLTE, SONUS, Tandem Drive², and DnD models.



MP33

A 33.5-inch long mounting pole in a black finish for mounting either a TD212 or TD215 full-range loudspeaker on a TD215S subwoofer.



EYEBOLT KITS

Eyebolt kits for suspending and rigging XLTE and SONUS loudspeakers. Use the 3/8EYBLTKIT with XLTE and M10EYBLTKIT with SONUS.



STRAPKIT

A kit of 3 steel straps with a series of 3/8" (10 mm) diameter holes for attaching rigging to threaded inserts for use with XLTE, Tandem Drive², MVP and DnD loudspeakers.



WB1

A kit of 2 steel-plate brackets for wall or ceiling mounting MVP or DnD loudspeakers. Max load = 95 lbs (43.1 kg).



SPKON

A package of 4 inline NL4FC Speakon connectors for use with Solutions, MVP and DnD loudspeakers.



CASTERS4

A kit of 4 heavy-duty, 4" blue casters for the TD218S subwoofer.



M12-RDCASE2

and M12-RDCASE4 These black ATA road cases with 4" casters hold up to 2 or 4 single M12 stage monitors, each featuring four recessed latches, eight recessed handles, and an accessory compartment.



Community Professional Loudspeakers
333 East Fifth Street, Chester, PA 19013 USA
Tel: 800-523-4934 · 610-876-3400 · Fax: 610-874-0190
www.communitypro.com