



PROFESSIONAL LOUDSPEAKERS

MVP Series II / MVP12

TWO-WAY TRAPEZOIDAL LOUDSPEAKER WITH 90° X 40° HF HORN

SPECIFICATIONS (See notes 1 and 2)

Loudspeaker Type: Two-way, full-range
Operating Range: 70 Hz - 16 kHz
 80 Hz - 14 kHz (+/-4.5dB)
Max Input Ratings: 150W continuous, 375W Program
 35 volts RMS, 77 volts momentary peak

Recommended Power Amplifier:

For maximum SPL: 310W to 450W @ 8 Ohms

Sensitivity 1W/1m:

94 dB SPL (80 Hz - 12.5 kHz 1/3 octave bands)

94 dB SPL (250 Hz - 4 kHz speech range)

Maximum Output: 116 dB SPL / 123 dB SPL (peak)

Nominal Impedance: 8 Ohms

Min Impedance: 3.9 Ohms @ 10570 Hz

Nominal -6dB Beamwidth:

90° H (+29° / -47°, 2 kHz - 12.5 kHz)

40° V (+25° / -12°, 2 kHz - 12.5 kHz)

Axial Q / DI: 15.5 / 11.9, 2 kHz - 12.5 kHz

Crossover Frequency: 2 kHz

Recommended Signal Processing: 70Hz high pass filter

Drivers: LF (1) 12"

HF (1) HF20 compression driver,
non-metallic diaphragm, Ferrofluid-cooled

Driver Protection: Dyna-Tech

Input Connection: (2) 1/4" jacks, (2) Locking Connectors

Controls: Mid-Range Boost Switch

Enclosure: MDF

Enclosure Hardware:

- (2) Recessed handles
- (8) Interlocking corner protectors
- (4) Rubber feet

Mounting / Rigging Provisions:

- (1) 1-3/8" stand socket
- (6) 5/16-18 hanging point inserts

Grille: 16 gauge perforated steel

Required Accessories: None

Supplied Accessories: None

Optional Accessories: Strapkit: (3) steel straps for suspending
WB1: (2) steel plate brackets
for wall mounting

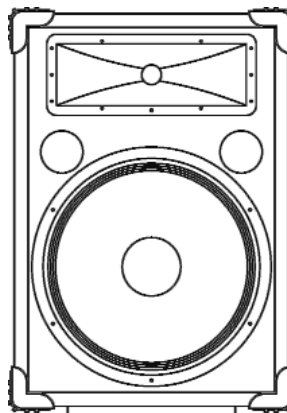
Dimensions: Height: 20.9" / 531 mm
Width (front): 14.5" / 368 mm
Width (rear): 10.5" / 267mm
Depth: 13.8" / 351 mm

Weight: 34 lb. / 15.4 kg

Shipping Weight: 38 lb. / 17.2 kg

1. Sensitivity: Free field pink noise measurement at 40 ft / 12.2 m at 50% power; extrapolated to 1 meter and an input of 2.83 volts RMS.

2. Watts: All wattage figures are calculated using the rated nominal impedance.



APPLICATIONS:

- SOUND REINFORCEMENT/PORTABLE PA
- CLUBS/DJ
- BANDS
- HOUSES OF WORSHIP
- PERMANENT INSTALLATION
- SPORT FACILITIES & HEALTH CLUBS
- RENTAL SYSTEMS
- KARAOKE

FEATURES:

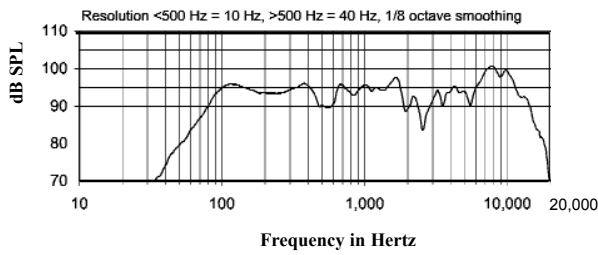
- DYNA-TECH ACTIVE LED
- DYNA-TECH DRIVER PROTECTION
- HF20 LOW MASS FERROFLUID-COOLED NON-METALLIC DIAPHRAGM
- HEAVILY BRACED MDF CONSTRUCTION
- TWO 1/4" INPUT CONNECTORS, AND TWO LOCKING CONNECTORS
- RECESSED HANDLES
- 16 GAUGE STEEL GRILLES
- MOUNTING/RIGGING POINTS (MUST USE STRAPKIT)
- MID-RANGE CONTOUR SWITCH

DESCRIPTION

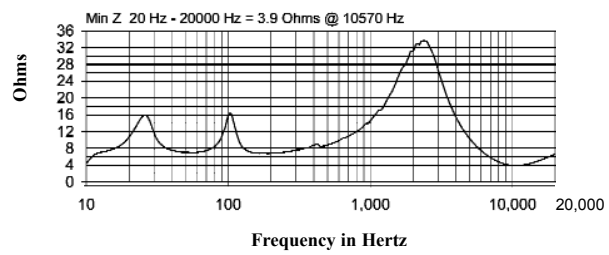
The MVP12 is a rugged, high-sensitivity, two-way, full-range loudspeaker system. The system utilizes one HF20 proprietary high-frequency compression driver coupled to an exponential horn and one 12" woofer for high sensitivity and excellent power handling capability. These components are matched to an optimally tuned direct radiating bass reflex enclosure. The recessed handles, black carpeted exterior and injection molded corners also make this system attractive, rugged and easily transportable.

The MVP12 offers a robust internal crossover with Dyna-Tech Dynamic Driver Protection. The crossover is built to last with high quality inductors, precision wound coils and military grade circuit boards. The proprietary Dyna-Tech Dynamic Driver Protection circuit provides both over-current and thermal protection for added performance and reliability. Designed as a stand-alone full-range loudspeaker system, the MVP12 offers enough bass for most foreground/background and speech reinforcement applications. For more demanding applications, extended bass can be achieved by adding a MVP18S subwoofer. Installation is easily accomplished utilizing the threaded inserts provided and optional mounting kits.

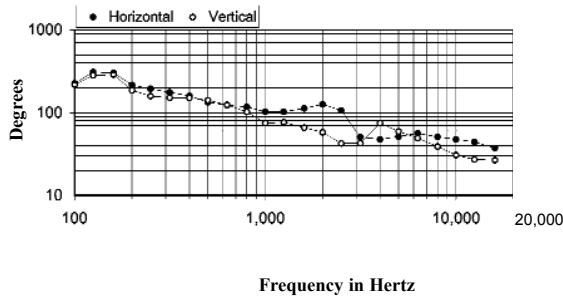
Frequency Response



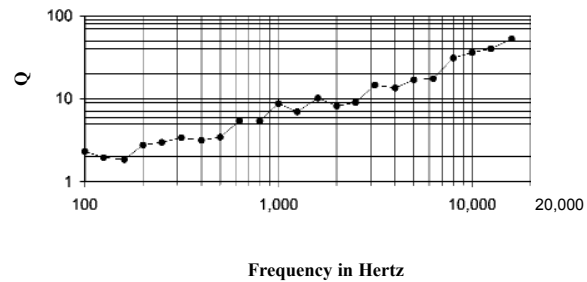
Impedance



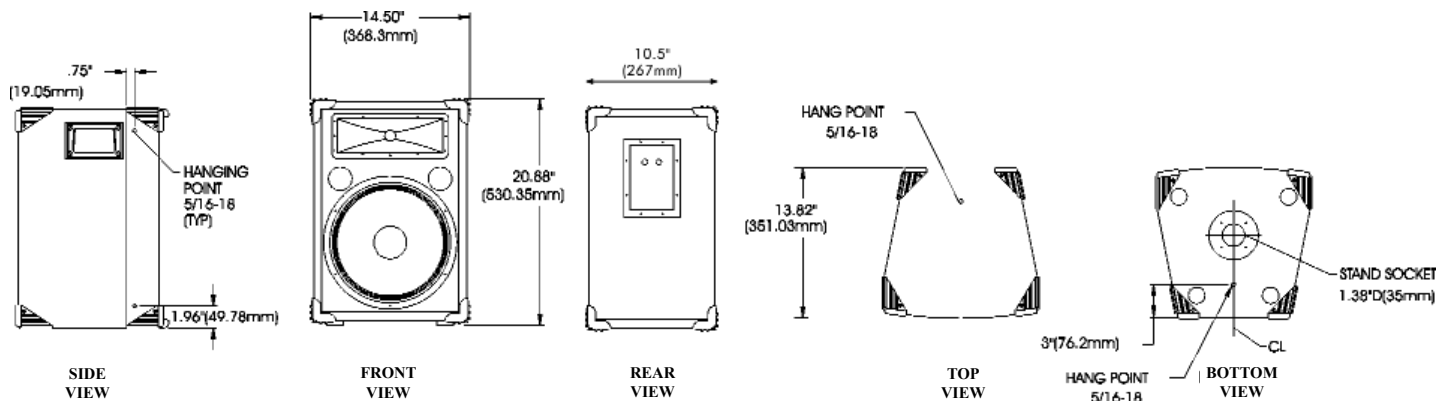
Beamwidth



Axial Q



DIMENSIONS



ARCHITECTS AND ENGINEERS SPECIFICATIONS

The loudspeaker system shall be a two-way, full-range bass reflex trapezoidal design with one 12" woofer and one 3/4" exit HF driver with a non-metallic diaphragm mounted to a 90° H x 40° V molded horn. There shall be two 1/4" phone jacks and two locking connectors. The loudspeaker enclosure shall be black carpeted MDF construction with a 16 gauge perforated steel grille. The system shall have an amplitude response of 80 Hz to 14 kHz (+/- 4.5 dB), input capability of 35V RMS, 94 dB sensitivity at one meter and 2.83V/8 ohms nominal impedance. The nominal dispersion shall be 90° H x 40° V from 1 kHz to 12.5 kHz. The loudspeaker shall be 20.9" (531 mm) H x 14.5" (368 mm) x W (front) x 10.5" (267 mm) W (rear) 13.8" (351 mm) D and weigh 34 lbs (15.4 kg).

LIMITED WARRANTY

Community MVP loudspeakers are guaranteed to be free from defects in materials and workmanship from the original date of sale for a period of five years in the U.S.A and worldwide. This warranty is automatically transferable to any and all owners during the specified period. For complete warranty information, consult the product owners manual or call (610) 876-3400 for a copy.