

## SPECIFICATIONS

<b>Loudspeaker Type:</b>	Compact subwoofer
<b>Operating Range:</b>	35 Hz to 200 Hz 43 Hz to 160 Hz ( $\pm 2$ dB) processed
<b>Max Input Ratings:</b>	300W continuous, 750W program, 4 ohms 35 volts RMS, 77 volts momentary peak
<b>Recommended Power Amplifier:</b>	630W to 900W @ 4 ohms
<b>Sensitivity (1W/1m):</b>	94 dB SPL (50 Hz to 160 Hz 1/3 octave bands)
<b>Maximum Output:</b>	119 dB SPL / 126 dB SPL (peak)
<b>Nominal Impedance:</b>	4 ohms
<b>Minimum Impedance:</b>	4.1 ohms @ 90 Hz
<b>Nominal -6dB Beamwidth:</b>	360° H x 180° V
<b>Axial Q / DI:</b>	1/0, 50 Hz to 160 Hz
<b>Recommended Signal Processing:</b>	35 Hz high pass filter, 48 dB/Oct
<b>Drivers:</b>	LF (2) 12"
<b>Driver Protection:</b>	DYNA-TECH™
<b>Input Connection:</b>	Install Version - (1) NL4-compatible locking connector (1) 2 conductor barrier strip Portable Version - (2) NL4-compatible locking connector (2) 1/4" jack with high-pass output switch
<b>Enclosure:</b>	11-ply cross-laminated birch
<b>Finish:</b>	Black or white paint finish
<b>Mounting/Rigging Provisions:</b>	Install Version - (12) M10 hang points Portable Version - (8) M10 hang points
<b>Required Accessories:</b>	Digital speaker processor
<b>Optional Accessories:</b>	VLF-SAB steered array bracket
<b>Dimensions—Height:</b>	20 inches (508 mm)
<b>Width:</b>	21.75 inches (552 mm)
<b>Depth:</b>	20 inches (508 mm)
<b>Weight:</b>	85.3 lbs (38.7 kg)

### NOTES:

- Sensitivity: Free field pink noise measurement at 4 ft (1.2 m) at 75% power; extrapolated to 1 meter and an input of 20 volts RMS.
- Watts: All wattage figures are calculated using the rated nominal impedance.



Shown: VLF212I

## APPLICATIONS

- Houses of worship
- Performing arts centers
- Theaters, lecture halls, auditoria
- Restaurants
- The "cafegymnasium"
- Portable bass reinforcement

## FEATURES

- Low profile design, small footprint
- Designed to work as a traditional subwoofer or in steered bass arrays
- DYNA-TECH™ protection circuitry
- Under-stage and other "hidden" LF applications
- Optional steered array brackets for array configurations
- Available in black or white finishes
- Optional portable version ("P" suffix) with Ergo-Grip handles, pole mount socket, rubber feet and eight fly points
- Five-year warranty

## DESCRIPTION

The VLF212 is a compact dual 12-inch subwoofer system with a no-grille design and slot-loaded woofers for extended low frequency response down to 50 Hz in passive mode or 43 Hz using DSP. The standard install version comes equipped with twelve generous fly points for creating steered subwoofer arrays.

The VLF212 is available in an optional portable version which comes equipped with two Ergo-Grip handles, a top-mounted pole socket, and rubber feet. The portable enclosures incorporate eight fly points, dual NL4-compatible connectors and dual 1/4" jacks with a high-pass output switch for running the subwoofer and a full-range cabinet from one single amp channel.

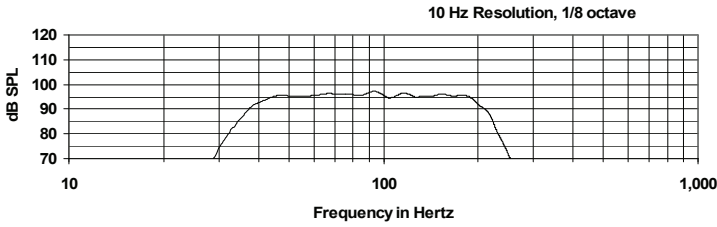
The VLF212 is a powerful and innovative low frequency subwoofer that when arrayed is effective in reducing unwanted reflections in theatres, restaurants, auditoria, houses of worship, schools and other applications, fitting comfortably into areas where larger subwoofers are impractical.



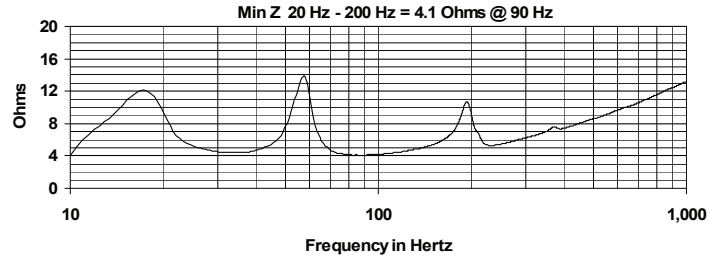
### VLF212 OPTIONS

"B" suffix	<b>Black</b> paint finish with black hardware
"W" suffix	<b>White</b> paint finish with white hardware
"I" suffix	<b>Install</b> version with twelve M10 hang points
"P" suffix	<b>Portable</b> version with built-in handles, rubber feet, pole mount socket and eight M10 hang points.
"A" suffix	<b>Amplified</b> (powered) version with integrated 1000 watt amplifier

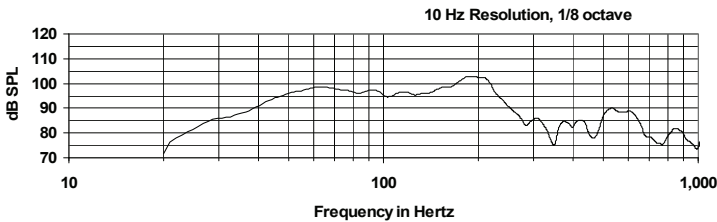
## Frequency Response: Processed



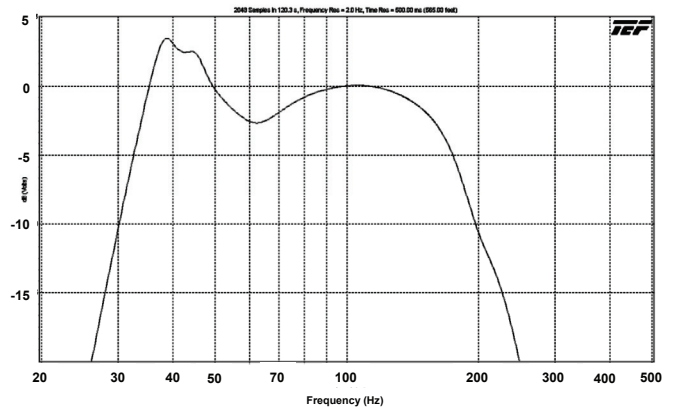
## Impedance



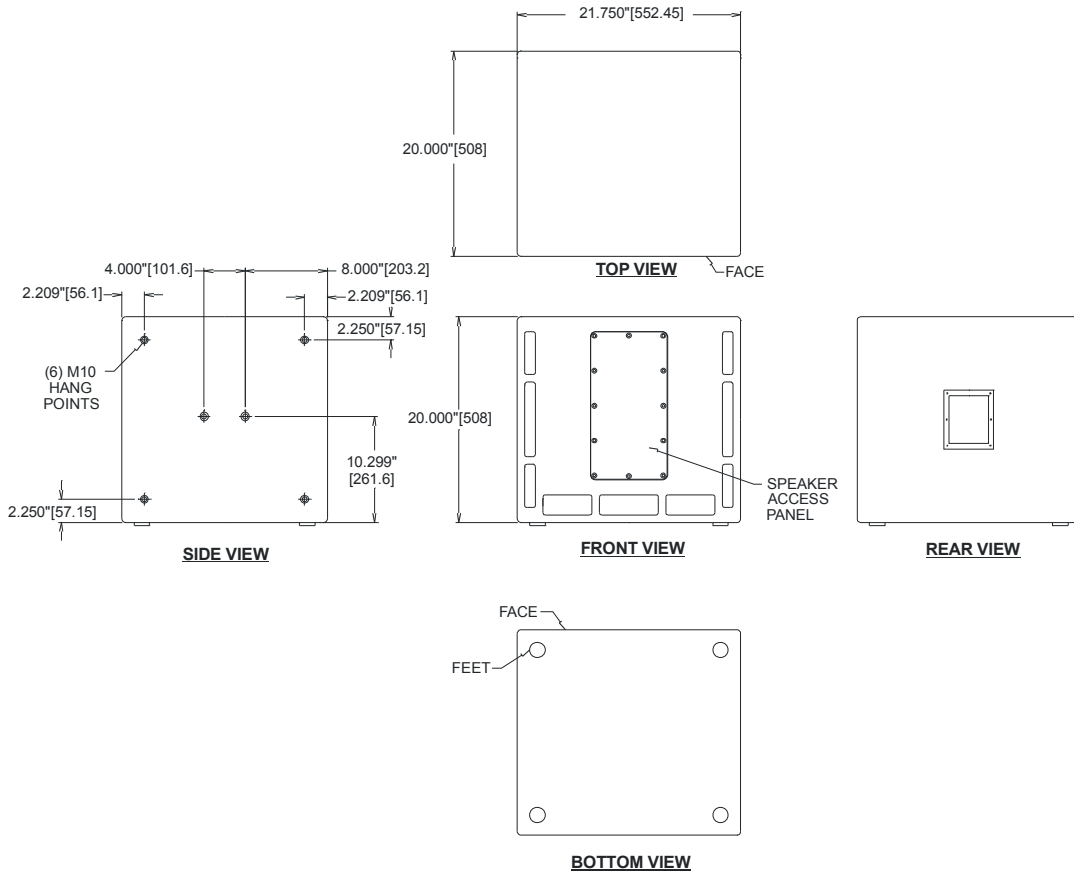
## Frequency Response: Unprocessed



## Frequency Response: Digital Signal Processor



## DIMENSIONS



Community strives to improve its products on a continual basis. Specifications are therefore subject to change without notice.

## VLF212 - Portable Option



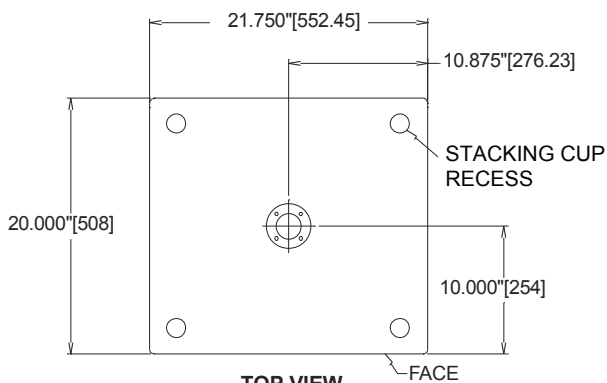
**Portable VLF212 models include:**

- Built-in Ergo-Grip handles
- Rubber feet
- Pole mount socket
- Eight M10 hang points
- Two NL4-compatible locking connectors
- Two 1/4" input jacks.

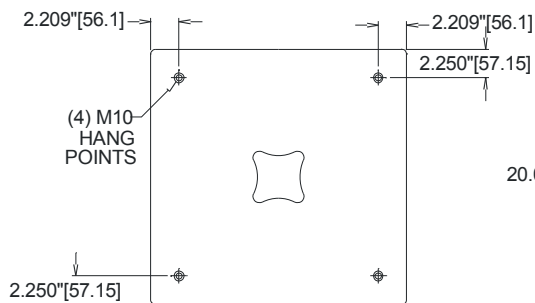
**Order Model VLF212P.**



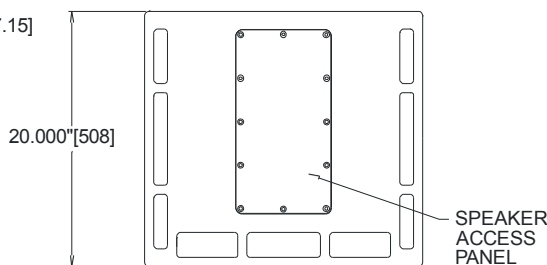
VLF212P



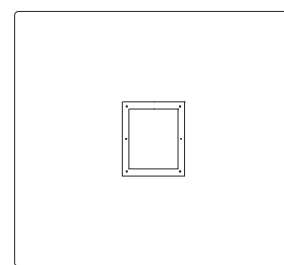
**TOP VIEW**



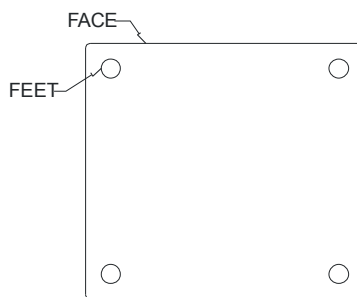
**SIDES**



**FRONT VIEW**



**BACK VIEW**



**BOTTOM VIEW**